



Ductile iron grooved pipe fittings-New type 90° elbow

Type: E1X

Doc No: DS-400-E1X-01-C

1.0 PRODUCT OVERVIEW

The new type 90° elbow is used for groove pipeline connection, which is mainly in pipeline bends to change the direction of the pipeline. It connects two pipes of the same nominal diameter to turn 90 degree.



Dimensions:

3"(DN80)–12"(DN300)

Design Standard:

ISO6182、AWWA C606、GB 5135.11

Connection Standard:

ASME B36.10、ASTM A53-A53M、ISO 4200

Working Pressure:

175PSI-300PSI

Application:

This product is mainly suitable for medium and low pressure piping systems such as water supply and drainage, fire protection, air conditioning, etc, with the working pressure of 175-300PSI, the size of DN80-DN300, and the temperature range of -20C~+180°C.

Pipe Material:

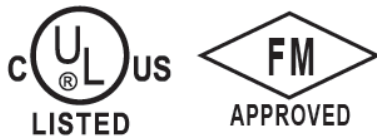
Welded and seamless rolled steel pipes according to ASME B36.10, ASTM A53-A53M, ISO 4200, GB/T 21835



Surface Treatment:

- Electrophoretic painting
- Epoxy power painting
- Hot-dip galvanizing
- Black
- Others would be available upon clients' detailed request

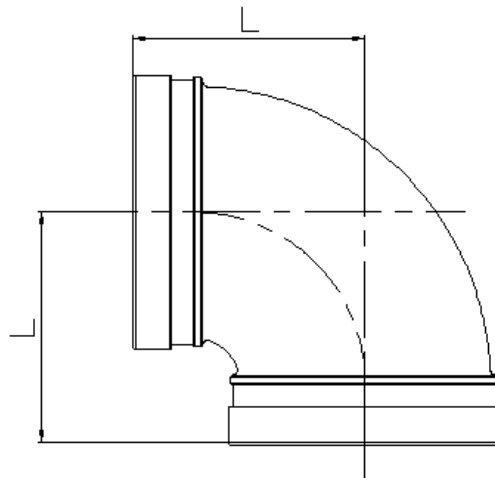
2.0 APPROVALS



3.0 SPECIFICATIONS-MATERIAL

Ductile iron according to ASTM A536, grade 65-45-12. The nodularity is more than 90%, ensuring excellent physical and mechanical properties.

4.0 DIMENSIONS AND PERFORMANCE



Nominal Size	Pipe O.D.	Working Pressure	Dimensions L	Nominal Size	Pipe O.D.	Working Pressure	Dimensions L
mm/in	mm/in	PSI/MPa	mm/in	mm/in	mm/in	PSI/MPa	mm/in
80	88.9	300	80.5	150	159.0	300	121.5
3	3.5	2.07	3.17	6	6.25	2.07	4.78
100	108.0	300	92	150	165.1	300	130
4	4.25	2.07	3.62	6	6.5	2.07	5.12
100	114.3	300	96	150	168.3	300	130
4	4.5	2.07	3.78	6	6.625	2.07	5.12



125	133.0	300	109	250	273.0	300	204
5	5.25	2.07	4.29	10	10.75	2.07	8.03
125	139.7	300	116	300	323.9	300	220
5	5.5	2.07	4.57	12	12.75	2.07	8.66

5.0 REFERENCE MATERIALS

Approved certification for Grooved Fittings and Couplings

I-JM-Grooved fitting: Installation Instructions for grooved fittings and couplings