



## DI GROOVED FITTINGS-TEE

Type: T Doc No:DS-400-T-01-E

### 1.0 PRODUCT OVERVIEW

The tee product is used for grooved pipe connection, mainly in the grooved pipe end where the main pipe needs branch pipe. The diameter of the main pipe and branch pipe is the same.



#### Dimensions:

1"(DN25)–24"(DN600)

#### Design Standard:

ISO6182, AWWA C606, GB 5135.11

#### Connection Standard:

ASME B36.10, ASTM A53-A53M, ISO 4200

#### Working Pressure:

175PSI-500PSI

#### Application:

The tee product is suitable for medium and low pressure pipeline systems with nominal pressure 175-500 PSI, nominal size DN25-DN600, temperature range of -20 °C-+180°C, which are widely applied in water supply and drainage, fire-fighting, air conditioning, etc.

#### Pipe Material:



Welded and seamless rolled steel pipes according to ASME B36.10, ASTM A53-A53M, ISO 4200, GB/T 21835

### Surface Treatment:

- Electrophoretic painting
- Epoxy power painting
- Hot-dip galvanizing
- Black
- Others would be available upon clients' detailed request

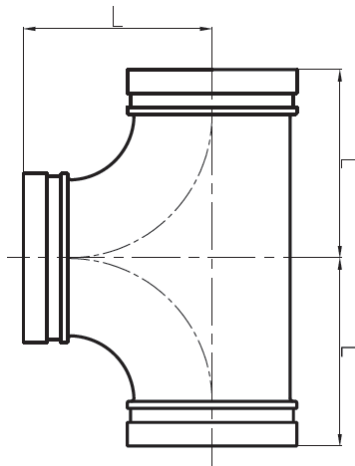
### 2.0 APPROVALS



### 3.0 SPECIFICATIONS-MATERIAL

Ductile iron according to ASTM A536, grade 65-45-12. The nodularity is more than 90%, ensuring excellent physical and mechanical properties.

### 4.0 DIMENSIONS AND PERFORMANCE





Nominal Size	Pipe O.D	Working Pressure	Dimensions L	Nominal Size	Pipe O.D	Working Pressure	Dimensions L
mm/in	mm/in	PSI/MPa	mm/in	mm/in	mm/in	PSI/MPa	mm/in
25 1	33.7 1.315	500 3.45	57 2.24	200 8	219.1 8.625	500 3.45	197 7.75
32 1¼	42.4 1.66	500 3.45	70 2.75	250 10	267.4 10.528	300 2.07	229 9
40 1½	48.3 1.9	500 3.45	70 2.75	250 10	273 10.75	500 3.45	229 9
50 2	60.3 2.375	500 3.45	82.5 3.25	300 12	318.5 12.539	500 3.45	254 10
65 2½	73 2.875	500 3.45	95 3.74	300 12	323.9 12.75	500 3.45	254 10
65 2½	76.1 3	500 3.45	95 3.74	350 14	355.6 14	300 2.07	280 11.02
80 3	88.9 3.5	500 3.45	108 4.25	350 14	377 14.84	300 2.07	279 10.98
100 4	114.3 4.5	500 3.45	127 5	400 16	406.4 16	300 2.07	305 12
125 5	133 5.25	500 3.45	122 4.8	400 16	426 16.77	300 2.07	285 11.22
125 5	139.7 5.5	500 3.45	140 5.5	450 18	457.2 18	300 2.07	342 13.46
125 5	141.3 5.563	500 3.45	140 5.5	450 18	480 18.9	300 2.07	335 13.19
150 6	165.1 6.5	500 3.45	165 6.5	500 20	508 20	300 2.07	381 15
150 6	168.3 6.625	500 3.45	165 6.5	600 24	609.6 24	300 2.07	432 17.01

## 5.0 REFERENCE MATERIALS

Approved certification for Grooved Fittings and Couplings

I-JM-Grooved fitting: Installation Instructions for grooved fittings and couplings