



DI GROOVED FITTINGS-New type TEE

Type: TX

Doc No:DS-400-TX-01-C

1.0 PRODUCT OVERVIEW

The new type tee product is used for grooved pipe connection, mainly in the grooved pipe end where the main pipe needs branch pipe. The diameter of the main pipe and branch pipe is the same.



Dimensions:

3"(DN80)–12"(DN300)

Design Standard:

ISO6182、AWWA C606、GB 5135.11

Connection Standard:

ASME B36.10、ASTM A53-A53M、ISO 4200

Working Pressure:

175PSI-300PSI

Application:

The tee product is suitable for medium and low pressure pipeline systems with nominal pressure 175-300 PSI, nominal size DN80-DN300, temperature range of -20 °C--+180°C, which are widely applied in water supply and drainage, fire-fighting, air conditioning, etc.

Pipe Material:

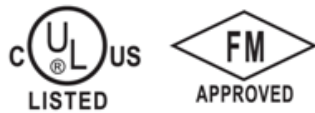


Welded and seamless rolled steel pipes according to ASME B36.10, ASTM A53-A53M, ISO 4200, GB/T 21835

Surface Treatment:

- Electrophoretic painting
- Epoxy power painting
- Hot-dip galvanizing
- Black
- Others would be available upon clients' detailed request

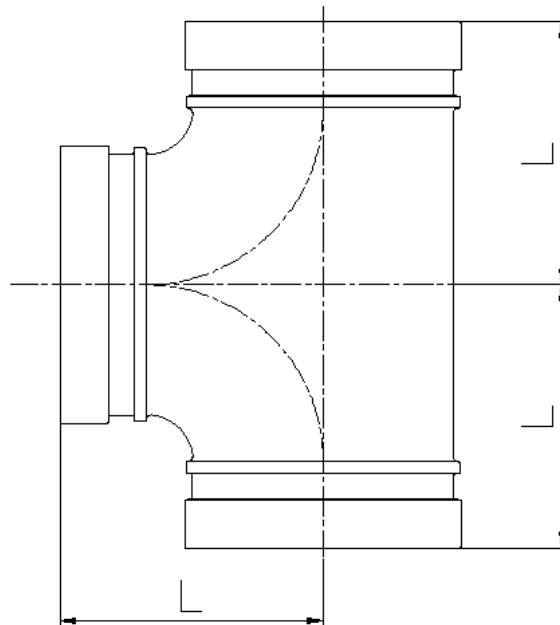
2.0 APPROVALS



3.0 SPECIFICATIONS-MATERIAL

Ductile iron according to ASTM A536, grade 65-45-12. The nodularity is more than 90%, ensuring excellent physical and mechanical properties.

4.0 DIMENSIONS AND PERFORMANCE





Nominal	Pipe	Working	Dimensions	Nominal	Pipe	Working	Dimensions
Size	O.D	Pressure	L	Size	O.D	Pressure	L
mm/in	mm/in	PSI/MPa	mm/in	mm/in	mm/in	PSI/MPa	mm/in
80	88.9	300	80.5	150	165.1	300	130
3	3.5	2.07	3.17	6	6.5	2.07	5.12
100	108.0	300	92	150	168.3	300	130
4	4.25	2.07	3.62	6	6.625	2.07	5.12
100	114.3	300	96	200	219.1	300	164
4	4.5	2.07	3.78	8	8.625	2.07	6.45
125	133.0	300	109	250	273.0	300	204
5	5.25	2.07	4.29	10	10.75	2.07	8.03
125	139.7	300	116	300	323.9	300	230
5	5.5	2.07	4.57	12	12.75	2.07	9.05
150	159.0	300	121.5.				
6	6.25	2.07	4.78				

5.0 REFERENCE MATERIALS G

Approved certification for Grooved Fittings and Couplings

I-JM-Grooved fitting: Installation Instructions for grooved fittings and couplings