

ANSI STANDARD MICRO AIR BLEEDING VALVE

Type: ARVX

Doc No: DS-901-ARVX-02-C-X

1.0 PRODUCT OVERVIEW

Micro air bleeding valve is a kind of air inlet and exhaust device which can quickly exhaust the air when the pipeline is filled with water, can quickly intake when the negative pressure is generated in the pipeline, can discharge a small amount of gas gathered in the pipeline under normal working conditions, and can automatically close the valve after the exhaust.



Dimensions:

1/2" (DN15)-1 1/2"(DN40)

Design Standard:

CJ/T 217, ASME B1.20.1

Connection Standard:

ASME B1.20.1

Working Pressure:

300PSI,250PSI*,200PSI,175PSI

* FM approval is rated up to 250 PSI

Application:

Micro air bleeding valve is mainly applied in the waterworks system, the working temperature is from 0°C to 55°C

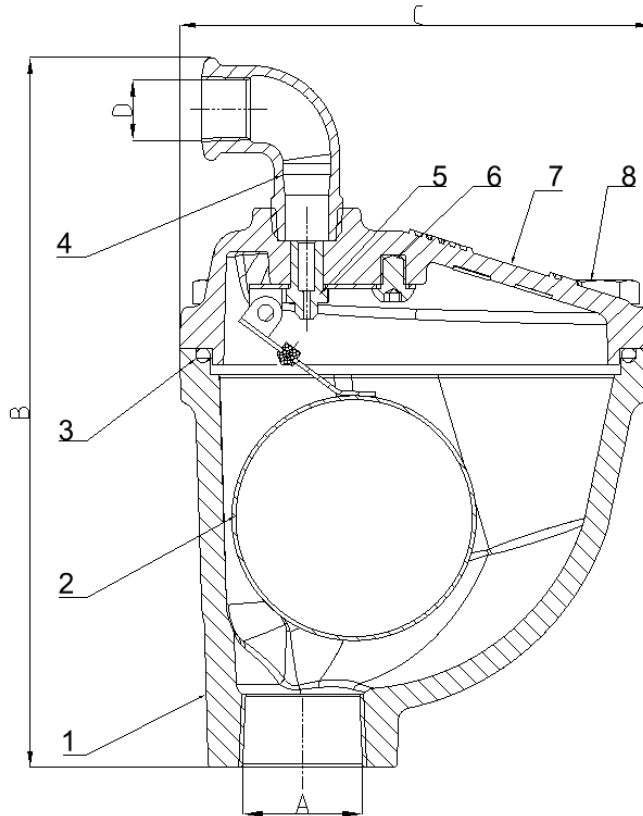
Material of Matching Products:

Pipes or fittings according to the ASME B1.20.1

Surface Treatment:

- Epoxy power painting (color numbers as RAL3000, etc)
- Painting (color numbers as RAL3000, etc)
- Others would be available upon clients' detailed request

2.0 APPROVALS

3.0 SPECIFICATIONS
Product Sketch:


Part No.	Part	Standard Specification	Options
1	Valve Body	ASTM A536,65-45-12	
2	Float Assembly	AISI 304	
3	O-Ring	NBR	
4	Elbow	AISI 304	
5	Exhaust nut	HPb58-3	
6	Screw	AISI 304	
7	Bonnet	ASTM A536,65-45-12	
8	Hex Bolt	Carbon Steel Zinc Plated	

4.0 DIMENSIONS AND PERFORMANCE

Dimensions

DN		Dimension(mm)			
Inch	mm	A	B*	C	D*
1/2"	15	1/2-14NPT	172	115	3/8-18NPT
3/4"	20	3/4-14NPT	172	115	3/8-18NPT
1"	25	1-11.5NPT	172	115	3/8-18NPT
1 1/4"	32	1 1/4-11.5NPT	172	115	3/8-18NPT
1 1/2"	40	1 1/2-11.5NPT	172	115	3/8-18NPT

*The FM approval configuration B size is 182mm and the D size is 1/2-14NPT

5.0 REFERENCE MATERIALS

Approved certification for Air Bleeding Valve