

ANSI GROOVED BUTTERFLY VALVE

Type: D81X4

Doc No: DS-901-D81X4-01-E-X

1.0 PRODUCT OVERVIEW

The grooved butterfly valve is simple, with compact and 90° slewing crane structure, it's mainly used for low pressure pipeline.



Dimensions:

2" (DN50) - 12" (DN300)

Design Standard:

MSS SP-67

Connection Standard:

AWWA C606

Top Flange Standard

ISO 5211

Working Pressure:

300PSI, 250PSI, 200PSI, 175PSI

Application:

The grooved butterfly valves are mainly used in the fire protection field. The operating temperature range is 0°C-80°C.

Material of Matching Products:

Ductile iron Grooved Coupling, like MECH type 1N, 1NS, 1G, 1GS

Material: ASTM A536, 65-45-12

Standard: AWWA C606

Surface Treatment:

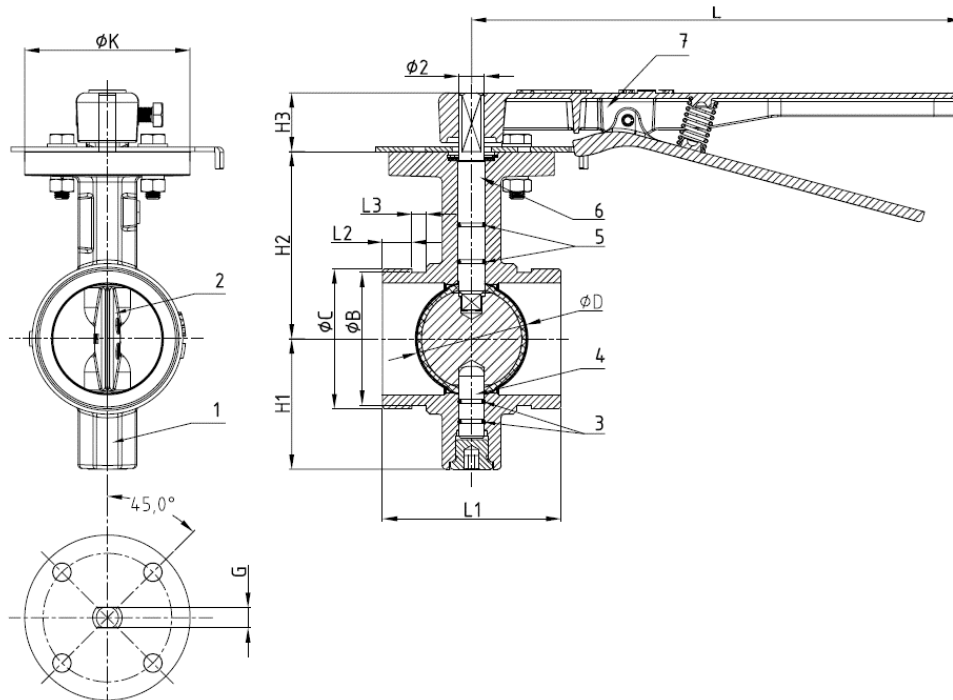
- Epoxy power painting (color numbers as RAL3000, etc)
- Others would be available upon clients' detailed request

2.0 APPROVALS

NSF/ANSI 61 NSF/ANSI 372

3.0 SPECIFICATIONS

Product Sketch:



Part No.	Part	Standard Specification	Options
1	Body	ASTM A536,65-45-12	
2	Disc	ASTM A536,65-45-12+EPDM	ASTM A536,65-45-12+NBR AISI304+EPDM
3	O-Ring	NBR	EPDM
4	Stub Shaft	AISI420	AISI431/316
5	O-Ring	NBR	EPDM
6	Drive Shaft	AISI420	AISI431/316
7	Hand Lever	ASTM A536,65-45-12	Aluminum

4.0 DIMENSIONS AND PERFORMANCE

4.1 Dimensions

Size		Dimension (mm)												
Inch	mm	L1	L2	L3	ΦB	ΦC	ΦD	H1	H2	H3	Φ2	G	ΦK	L
2"	60.3	81	15.88	7.93	57.15	60.3	50.3	65	89	32	14	9.45	F07	267
2.5"	73	97	15.88	7.93	69.09	73.0	61.0	71	102	32	14	9.45	F07	267
3"	88.9	97	15.88	7.93	84.94	88.9	76.0	81	109	32	14	9.45	F07	267
4"	114.3	116	15.88	9.53	110.08	114.3	98.6	95	128	32	16	11.10	F07	267
5"	141.3	148	15.88	9.53	137.03	141.3	123.0	111	141	32	16	11.10	F07	267
6"	168.3	148	15.88	9.53	163.96	168.3	148.2	133	153	32	20	12.65	F07	267
8"	219.1	133	19.05	11.10	214.4	219.1	198.8	164	184	45	26	20.6	F10	355.6
10"	273	159	19.05	12.70	268.28	273.0	252.4	196	216	45	26	20.6	F10	355.6
12"	323.9	165	19.05	12.70	318.29	323.9	300.5	226	254	45	28	22.1	F10	490

4.2 Flow rates

