

AWWA WALL INDICATOR POST

Type: WP Doc No: DS-901-WP-01-E-X

1.0 PRODUCT OVERVIEW

The wall indicator is used to operate and indicate the switch installed in the back gate valve of the wall.



Dimensions:

DN100-DN400

Design Standard:

UL789/FM1110

Connection Standard:

UL789

Working Pressure:

NO

Application:

This Wall Indicator Post is applied at the fire-protection system, the working temperature is 0°C-80°C.

Material of Matching Products:

Cast iron flange according to UL789/FM1110

Surface Treatment:

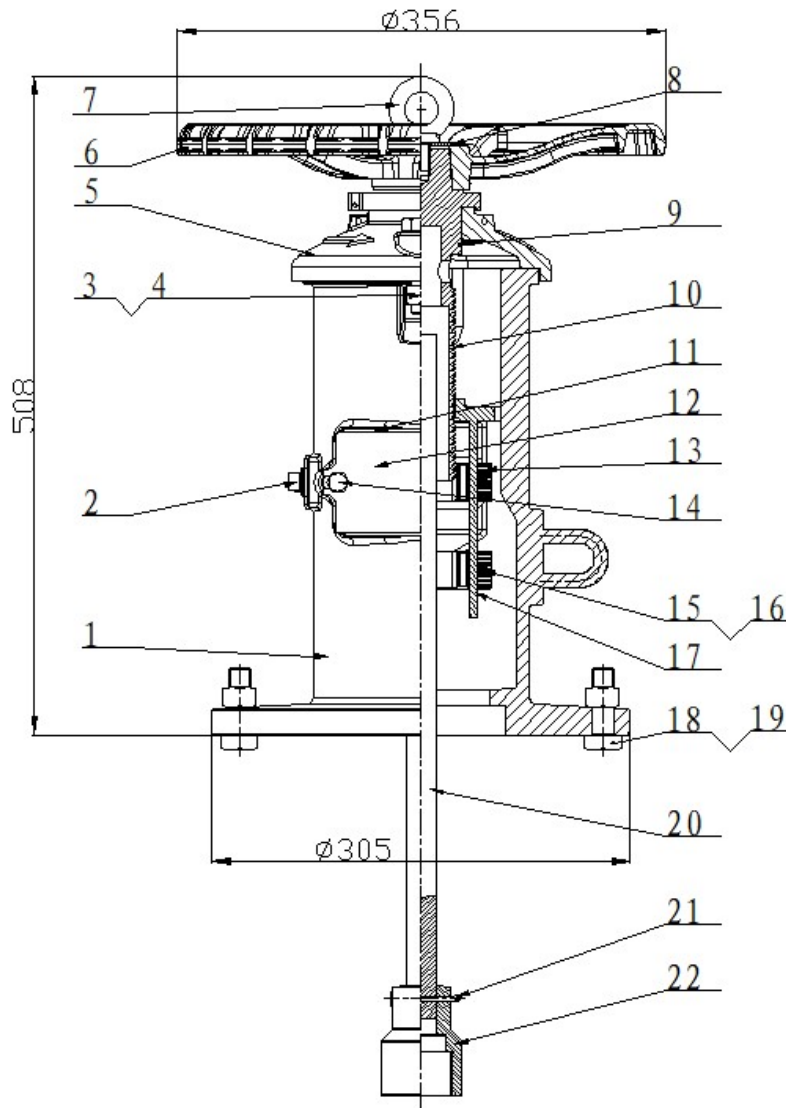
- Epoxy power painting (color numbers as RAL3000, RAL3001, etc)

2.0 APPROVALS



3.0 SPECIFICATIONS

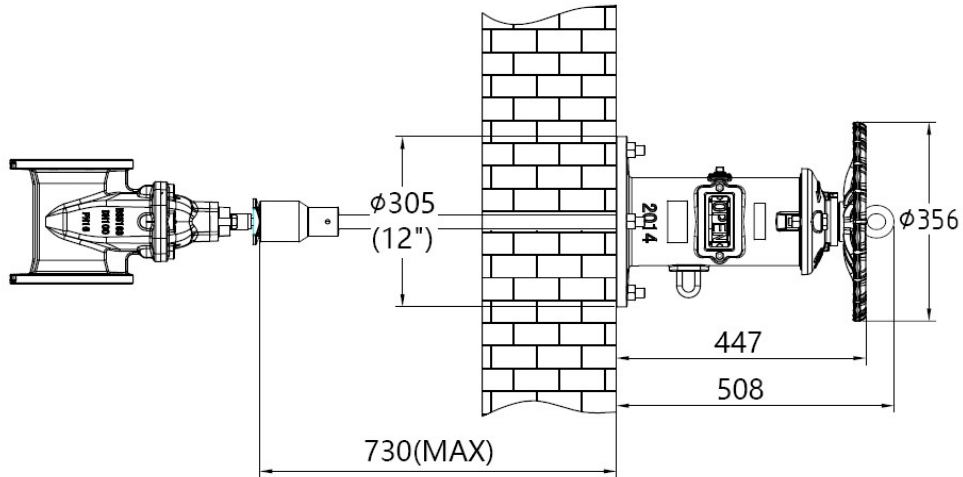
Product Sketch:



Part No.	Part	Standard Specification	Options
1	Body	ASTM A536 65-45-12	
2	Plug	Malleable Iron Galvanized	
3	Square Nut	Carbon Steel Zinc Plated	AISI 304、 AISI 316、
4	Hex Bolt	Carbon Steel Zinc Plated	AISI 304、 AISI 316、
5	Cover	ASTM A536 65-45-12	
6	Hand wheel	ASTM A536 65-45-12	
7	Eye Bolt	Carbon Steel ASTM A307B	
8	Washer	Carbon Steel ASTM A307B	
9	Snap Ring	Stainless Steel AIS11066	
10	Operating NUT	AISI 304	
11	Gasket	PTFE	
12	Window Class	Plexiglass	
13	Instructs the plane	Cast Aluminium	
14	Hex Bolt	Carbon Steel Zinc Plated	AISI 304、 AISI 316、
15	Hex Bolt	Carbon Steel Zinc Plated	AISI 304、 AISI 316、
16	Hex Bolt	Carbon Steel Zinc Plated	AISI 304、 AISI 316、
17	Target Carrier Nut	AISI 304	
18	Hex Nut	Carbon Steel Zinc Plated	AISI 304、 AISI 316、
19	Hex Nut	Carbon Steel Zinc Plated	AISI 304、 AISI 316、
20	Stem 1" Square	Carbon Steel AISI 1045	
21	Cotter Pin	AISI 304	
22	Socket	ASTM A536 65-45-12	

4.0 DIMENSIONS AND PERFORMANCE

4.1 Dimensions



5.0 REFERENCE MATERIALS

Approved certification for Wall Indicator