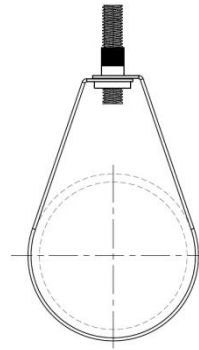


## Support hanger - Ring hanger

### Product Overview

It is used for the connection of pipelines and fixes the position of pipelines. The nuts are connected to threaded fittings, which are then connected to buildings or steel beams.



**Size range:**

1/2"(DN15)-12"(DN300)

**Design standards:**

MSS SP-58

**Connection standard:**

ANSI/ASME B 1.1 UNC thread

**Applications:**

It is suitable for the suspension of SCH40 steel pipes in fire protection, water supply and drainage systems.

**Supporting connection product materials and standards:**

Threaded rods, bolts, etc., ASME B 18.31.3, ASME B 18.2.1

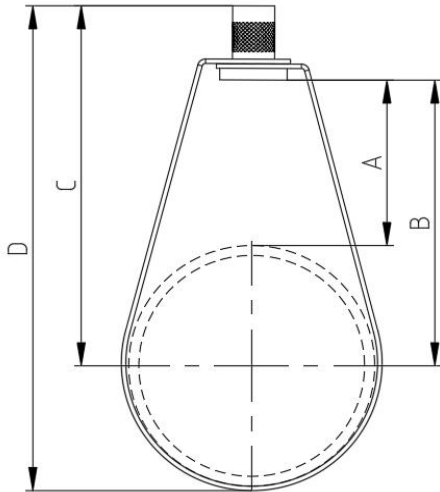
**Surface treatment:**

Pre-Galvanized (1/2"-8"), Electro-galvanized (10"-12")

### 1. Certification



## 2. Size



Item	Size	Nut size		A	B	C	D	Maximum recommended load	
		mm	in					lbf	N
GSD9	1/2"	M10	3/8"-16UNC	33.98	35.98	58.48	70.39	299	1334
GSD9	3/4"	M10	3/8"-16UNC	37.82	39.82	62.32	76.93	299	1334
GSD9	1"	M10	3/8"-16UNC	41.98	43.98	66.48	84.44	299	1334
GSD9	1-1/4"	M10	3/8"-16UNC	46.68	48.68	71.18	93.54	299	1334
GSD9	1-1/2"	M10	3/8"-16UNC	48.98	50.98	73.48	98.89	299	1334
GSD9	2"	M10	3/8"-16UNC	54.68	56.68	79.18	110.59	299	1334
GSD9	2-1/2"	M10	3/8"-16UNC	85.2	87.2	109.7	147.55	339	1512
GSD9	3"	M10	3/8"-16UNC	92.08	94.08	116.58	162.74	419	1868
GSD9	3-1/2"	M10	3/8"-16UNC	92.08	94.08	116.58	169.09	499	2224
GSD9	4"	M10	3/8"-16UNC	104.98	106.98	129.48	188.34	599	2668
GSD9	5"	M12	1/2"-13UNC	123.75	125.75	154.25	227.38	799	3558
GSD9	6"	M12	1/2"-13UNC	142.15	144.15	172.65	259.28	1059	4714
GSD9	8"	M12	1/2"-13UNC	180	182	210.5	322.75	1619	7205
GSD9	10"	M16	5/8"-11UNC	219	221	256	397	2339	10408
GSD9	12"	M16	5/8"-11UNC	265	267	302	468.45	3159	14055

## 3. References

CERTIFICATE: UL APPROVALS PROJECT NO: EX28632

FM APPROVALS PROJECT NO: PR462099