

Copper end water test valve

Type:TADV

Doc No: DS-50A-TADV-03-E-X

1.0 PRODUCT OVERVIEW



The copper end water test valve has test and drainage functions and is used in wet spray fire extinguishing systems. When used for testing, the flow coefficient is the same as that of a spray head when it bursts to extinguish a fire, and the alarm function test can be carried out instead of the spray head action. It can also be used as a drain valve to drain excess water from the pipe by changing the position of the valve.

Dimensions:

1"(DN25) -2"(DN50)

Design Standard:

FM1625,UL258

Connection Standard:

ASME B1.20.1

Working Pressure:

300PSI

Application:

Copper end water test valve is mainly used in wet water spray fire extinguishing system, working temperature at 0°C-80°C

Material of Matching Products:

ASME B1.20.1 NPT Thread

Surface Treatment:

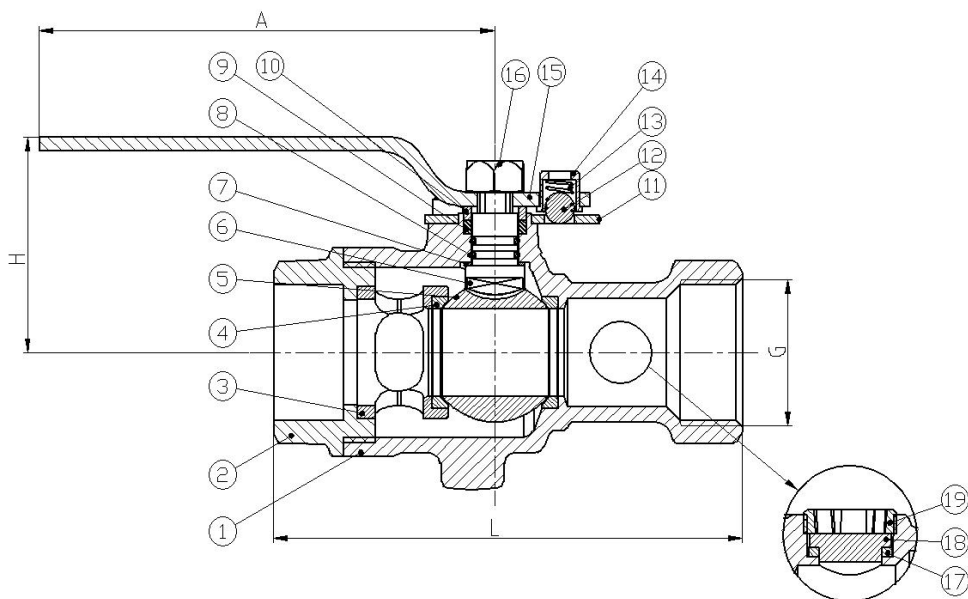
- The metal color
- Others would be available upon clients' request

2.0 APPROVALS



3.0 SPECIFICATIONS

Product Sketch:



Part No.	Part	Standard Specification	Options
1	Valve body	CW617N	
2	Valve bonnet	CW617N	
3	Bushing	CW612N	
4	Valve seat	PTFE	
5	Valve core ball	CW617N	
6	Valve stem	CW612N	
7	Valve stem gasket	PTFE	
8	O-ring	NBR	
9	Valve stem gasket	PTFE	
10	Junk ring	CW612N	
11	Sign	AISI 304	AISI 316
12	Ball plunger	AISI 304	AISI 316
13	spring	AISI 304	AISI 316
14	Positioning cap	CW612N	
15	Hand shank	AISI 304	AISI 316
16	locknut	/	
17	Sight glass gasket	EPDM	
18	Sight glass	PMMA	
19	Sight glass gasket	CW612N	

4.0 Dimensions

SIZE		Dimensions			
Inch	DN	L (mm)	H (mm)	A (mm)	G
1"	25	134.5	63.5	130	NPT 1"
1 1/4"	32	135.5	64.5	132.5	NPT 1 1/4"
1 1/2"	40	163.5	79	152	NPT 1 1/2"
2"	50	167	79	152	NPT 2"

5.0 K-Factor

Valves Size	Size	K-Factor
1"	3/8"	K2.8 (40)
	7/16"	K4.2 (60)
	1/2"	K5.6 (80)
	17/32"	K8.0 (115)
	5/8"	K11.2 (160)
1 1/4"	3/8"	K2.8 (40)
	7/16"	K4.2 (60)
	1/2"	K5.6 (80)
	17/32"	K8.0 (115)

	5/8"	K11.2(160)
1 1/2"	3/8"	K2.8(40)
	7/16"	K4.2(60)
	1/2"	K5.6(80)
	17/32"	K8.0(115)
	5/8"	K11.2(160)
2"	3/8"	K2.8(40)
	7/16"	K4.2(60)
	1/2"	K5.6(80)
	17/32"	K8.0(115)
	5/8"	K11.2(160)

6.0 REFERENCE MATERIALS

FM APPROVAL REPORT