

## AWWA FLANGED RESILIENT NRS GATE VALVE WITH POST FLANGED

Type: Z45XC-2

Doc No: DS-901-Z45XC-2-01-E-X

### 1.0 PRODUCT OVERVIEW

The valve is mainly used to connect and cut off the medium in the pipeline by rotating the stem. Its transmission thread is inside the body cavity, which can save installation space.



#### Dimensions:

4" (DN100)-12"(DN300)

#### Design Standard:

AWWA C515;ASME B16.10

#### Connection Standard:

ASME\_B16.1

#### Working Pressure:

300PSI; 250PSI; 200PSI

#### Application:

This AWWA standard flanged NRS gate valve with post flanged is applied at the fire-protection system, the working temperature is 0°C-80°C.

**Material of Matching Products:**

Connect flanged pipes in accordance with American Standard ASME B16.1 CL125

**Surface Treatment:**

- Epoxy power painting (color numbers as RAL3000,RAL3001,etc)
- Painting (color numbers as RAL3000,etc)
- Others would be available upon clients' detailed request

**2.0 APPROVALS**

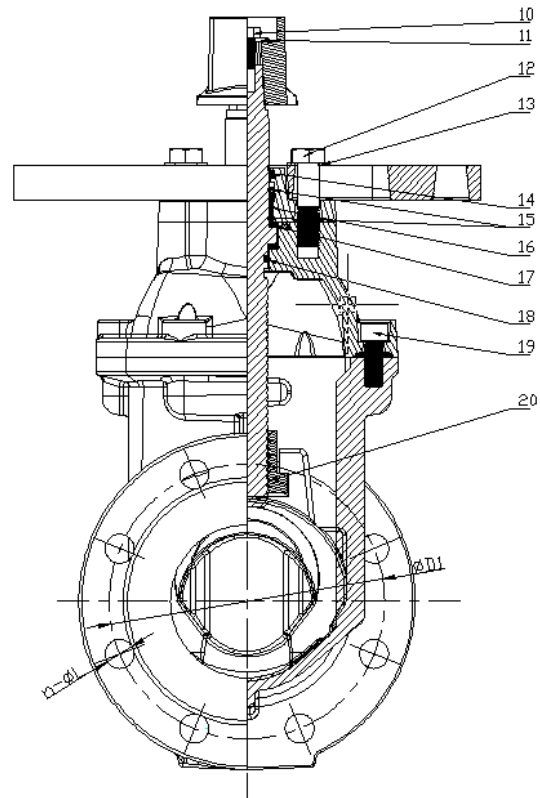
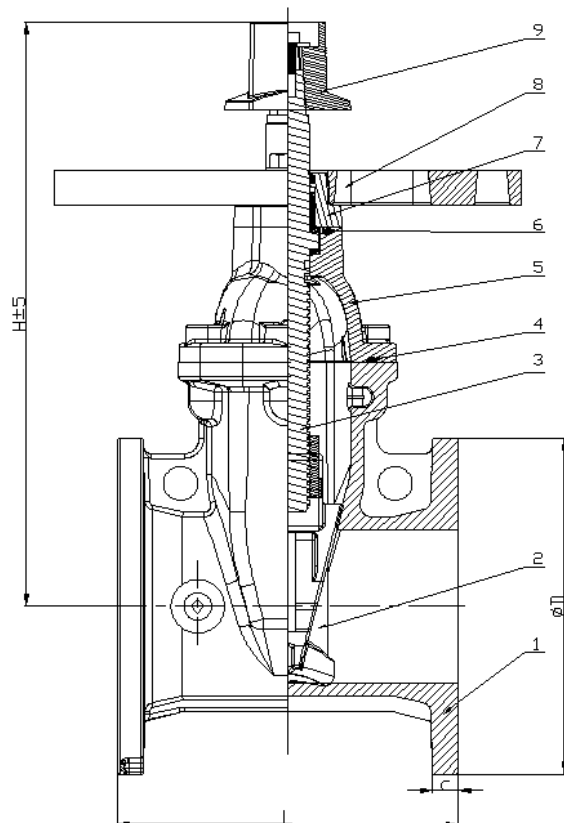


NSF/ANSI 372 CE



**3.0 SPECIFICATIONS**

**Product Sketch:**



Part No.	Part	Standard Specification	Options
1	Valve Body	ASTM A536,65-45-12	
2	Resilient Wedge disc	ASTM A536,65-45-12+EPDM	
3	Stem	Stainless Steel	AISI 304、AISI 316、AISI 431
4	Bonnet Gasket	EPDM	
5	Bonnet	ASTM A536,65-45-12	
6	O-Ring	NBR	EPDM
7	Gland	ASTM A536,65-45-12	
8	Post Flange	ASTM A536,65-45-12	
9	Square Operating Nut	ASTM A536,65-45-12	
10	Bolt	Carbon Steel Zinc Plated	AISI 304、AISI 316、
11	Flat Washer	Carbon Steel Zinc Plated	AISI 304、AISI 316、
12	Bolt	Carbon Steel Zinc Plated	AISI 304、AISI 316、
13	Flat Washer	Carbon Steel Zinc Plated	AISI 304、AISI 316、
14	Ring Wiper	EPDM	NBR
15	O-Ring	NBR	EPDM
16	Axis guide	Brass Hpb59-1	
17	Washer	CW617N	
18	O-Ring	NBR	EPDM
19	Bolt	Carbon Steel Zinc Plated	
20	Wedge nut	Brass Hpb59-1	
21	NPT Pipe Plug	ASTM B584-06a C89833	

## 4.0 DIMENSIONS AND PERFORMANCE

### 4.1 Dimensions

DN		Dimensions (mm)					
Inch	mm	L	H	D	D1	C	n-∅L
4"	100	229	395	229	190.5	19.1	8-Φ19.1
5"	125	254	432	254	215.9	19.1	8-Φ22.2
6"	150	267	475	279	241.3	19.1	8-Φ22.2
8"	200	292	585	343	298.5	22.2	8-Φ22.2
10"	250	330	656	406	362	23.8	12-Φ25.4
12"	300	356	751	483	431.8	25.4	12-Φ25.4

## 4.2 Flow rates

DN	DN100	DN150	DN200	DN250	DN300
Kv	162.8	366.3	651.1	1017.4	1456

## 5.0 REFERENCE MATERIALS

Approved certification for Gate Valve