

## AWWA GROOVED RESILIENT NRS GATE VALVE WITH POST FLANGED

Type: Z85XC-2

Doc No:DS-901-Z85XC-2-01-E-X

### 1.0 PRODUCT OVERVIEW

The valve is mainly used to connect and cut off the medium in the pipeline by rotating the stem. Its transmission thread is inside the body cavity, which can save installation space.



#### **Dimensions:**

4"(DN100)-12"(DN300)

#### **Design Standard:**

AWWA C515;

#### **Connection Standard:**

AWWA C606

#### **Working Pressure:**

300PSI;250PSI;200PSI

#### **Application:**

This AWWA standard grooved NRS gate valve is applied at the fire-protection system, the working temperature is 0°C-80°C.

**Material of Matching Products:**

Grooved valves or fittings of ductile iron, gray iron, cast steel, etc.

**Surface Treatment:**

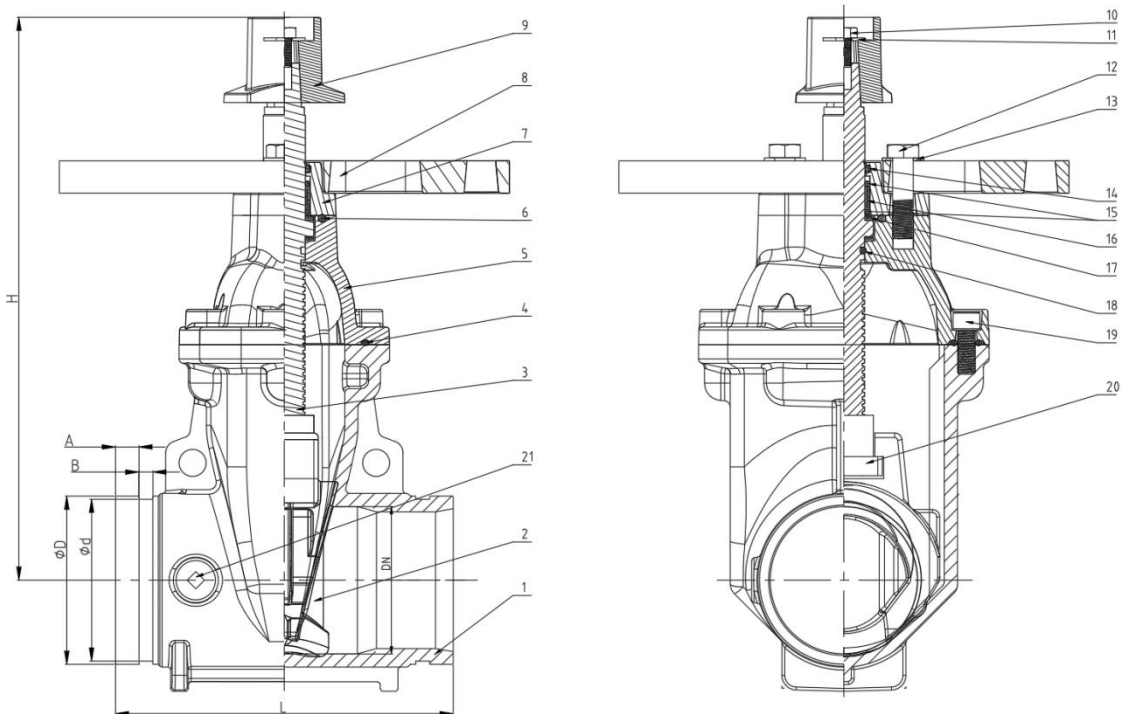
- Epoxy power painting (color numbers as RAL3000, RAL3001, etc)
- Painting (color numbers as RAL3000, etc)
- Others would be available upon clients' detailed request

**2.0 APPROVALS**



**3.0 SPECIFICATIONS**

**Product Sketch:**



Part No.	Part	Standard Specification	Options
1	Valve Body	ASTM A536,65-45-12	
2	Resilient Wedge disc	ASTM A536,65-45-12+EPDM	
3	Stem	AISI 420	AISI 304、AISI 316、AISI 431
4	Bonnet Gasket	EPDM	
5	Bonnet	ASTM A536,65-45-12	
6	O-Ring	NBR	EPDM
7	Gland	ASTM A536,65-45-12	
8	Post Flange	ASTM A536,65-45-12	
9	Square Operating Nut	ASTM A536,65-45-12	
10	Bolt	Carbon Steel Zinc Plated	AISI 304、AISI 316
11	Flat Washer	Carbon Steel Zinc Plated	AISI 304、AISI 316
12	Bolt	Carbon Steel Zinc Plated	AISI 304、AISI 316
13	Flat Washer	Carbon Steel Zinc Plated	AISI 304、AISI 316
14	Ring Wiper	EPDM	NBR
15	O-Ring	NBR	EPDM
16	Axis guide	Brass	
17	Washer	Brass	
18	O-Ring	NBR	EPDM
19	Bolt	Carbon Steel Zinc Plated	AISI 304、AISI 316
20	Wedge nut	Brass	
21	NPT Pipe Plug	Brass	

## 4.0 DIMENSIONS AND PERFORMANCE

### 4.1 Dimensions

Size		Dimensions(mm)					
inch	mm	L	H	OD	d	A	B
4"	100	229	395	114.3	110.08	15.88	9.52
5"	125	254	432	141.3	137.03	15.88	9.52
6"	150	267	475	168.3	163.96	15.88	9.52
8"	200	292	585	219.1	214.40	19.05	11.13
10"	250	330	656	273.0	268.28	19.05	12.70
12"	300	356	751	323.9	318.29	19.05	12.70

### 4.2 Flow rates

DN	DN100	DN150	DN200	DN250	DN300
Kv	162.8	366.3	651.1	1017.4	1456

## 5.0 REFERENCE MATERIALS

Approved certification for Gate Valve